

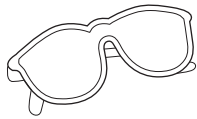
CONCEALoc® Hidden Fasteners for use with TimberTech AZEK Deck Boards

CONCEALoc & Accessory Installation Instructions

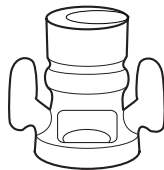
- Note: When using clips, larger gaps can be expected at butt joints or breaker boards. Consider using top down fastening methods to help reduce gapping.
- CONCEALoc Hidden Fasteners – retail box for 100-square-foot coverage or bulk bucket for 1,000-square-foot coverage. Includes stainless steel screws.
- CONCEALoc Gun Pail – 500-square-foot coverage for use with the TigerClaw pneumatic installation tool sold by FastenMaster. Includes quality coated pneumatic fasteners. Stainless steel fasteners for coastal applications available through FastenMaster. Pneumatic tool must be tuned specifically to install lightweight AZEK Deck. Failure to do so can result in less than desired securing/tightness of fastener, boards lifting from joists, boards feeling loose or movement and could generate squeaking/noise.
- For a completely fastener-free surface, use Cortex on the first and last boards.
- CONCEALoc Router Bit – Rout the correct notch dimension on a solid plank for a perfect CONCEALoc fastener fit even allows for notching an installed plank over a joist.
- Reference the Deck Building Resource Center for additional guides: <https://www.timbertech.com/resources/deck-building>

CONCEALoc® Hidden Fasteners Installation Instructions

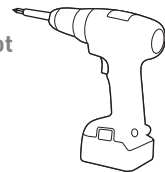
Tools Needed



Safety Glasses



Router with Slot Cutting Blade (Optional)



Drill

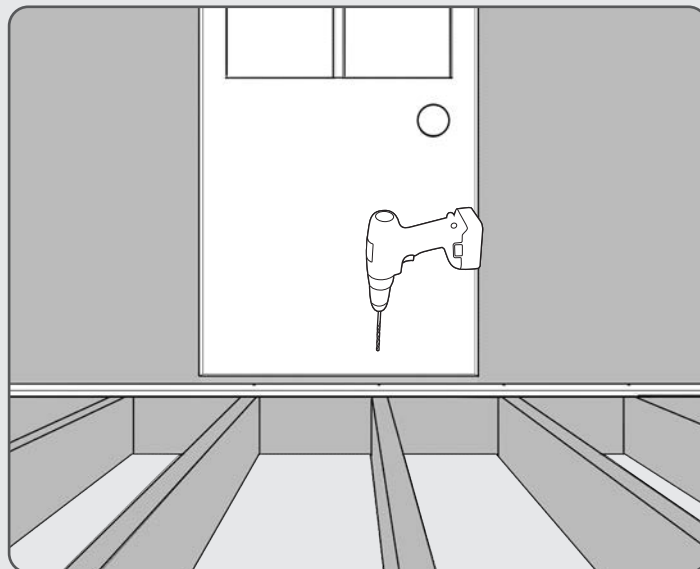


CONCEALoc Screw & Clip

1

INSTALL THE FIRST PLANK

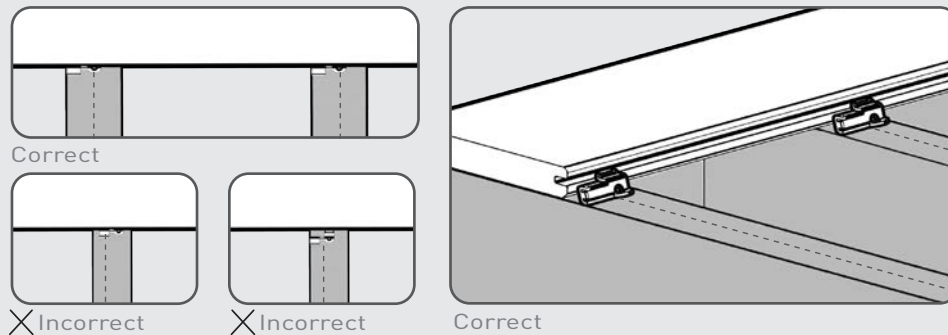
- Fasten outer edge of the first plank at each framing support 1" from the edge using AZEK TopLock or Cortex screws. For a completely fastener-free surface, use Cortex on the first and last boards



2

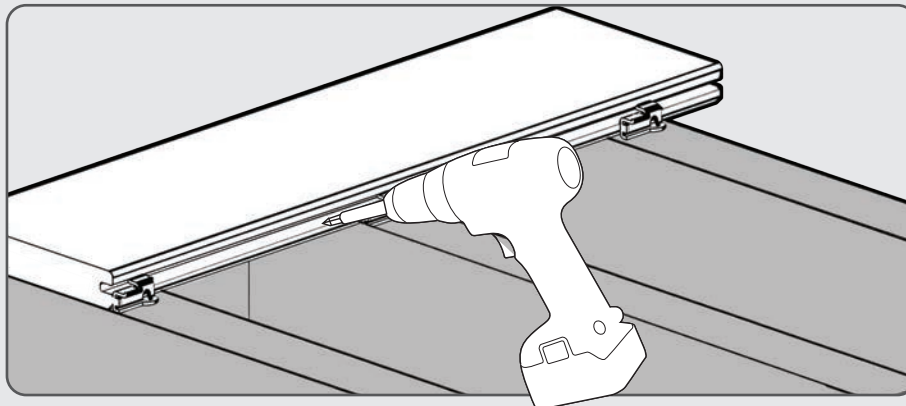
POSITION CONCEALOC FASTENERS

- Fully insert the CONCEALoc fastener into grooved edge of plank. Screw hole should be lined up with the center of support joist.



3

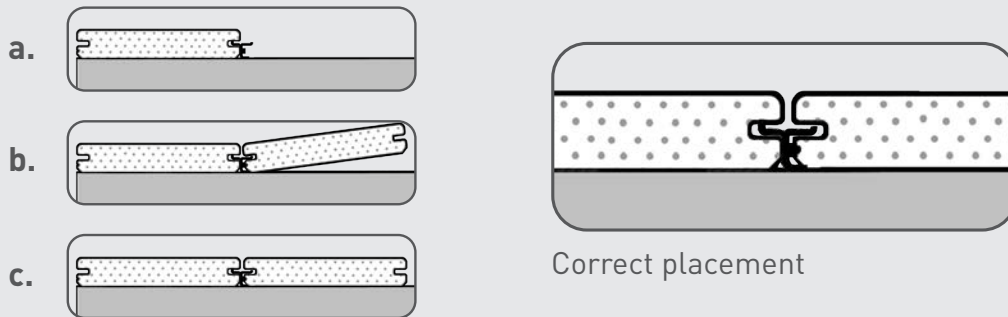
- Install CONCEALoc screw at 45° angle through the fastener and into the joist while applying pressure on the fastener.
- Install one fastener and screw at each joist location. See specific and additional requirements for butt joints.
- Make sure fastener is in full contact with edge of plank and the screw is holding the fastener down tight to the deck board.



4

COMPLETE INSTALLATION

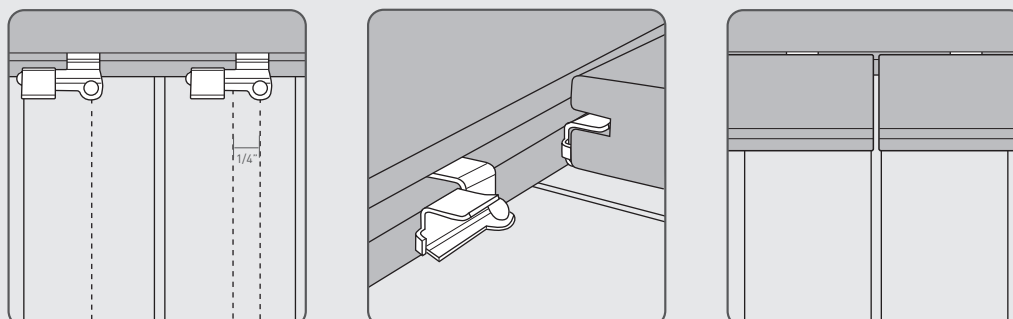
- Place the next plank into position against the fasteners. Slightly raise the outer edge of the plank being installed and slide it onto the fastener until the plank contacts the spacer tab. When properly installed the inserted plank should be in contact with the bent-forward spacer tab at the left end of the clip. To achieve this use wood 2x4 at least 24" in length and use it as a tamping block/beater board to bring edge of deck board into contact with spacer tab to ensure proper spacing.
- Recommend that boards be checked frequently for straightness as they are installed using a string line or laser line.
- **Never strike the edge of decking directly with hammer as damage will occur. Always use beater board.**



5

INSTALLING CONCEALOC FASTENERS AT BUTT JOINTS

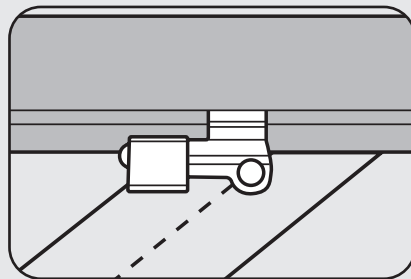
- Joists at butt joints must be doubled up for proper fastener attachment.
- Install fasteners as detailed below. Note that the two clips on the left are shifted approximately 1/4" to the right of center on the joists. If this is not done the spacer tab may fall within the gap of the butt joint.
- To help minimize gaps at butt joints, consider installing Cortex screws within 1/2" of board ends as well as 2 per joist at two to three joists from butt joints on either side of the butt joint. and for a more secure attachment, consider adding Cortex screws within 1/2" of board ends as well as 2 per joist at minimum of 3 joists from each board end in either direction.
- Note: the more fasteners added will increase performance. Consider adding additional fasteners for longer runs or longer length boards.



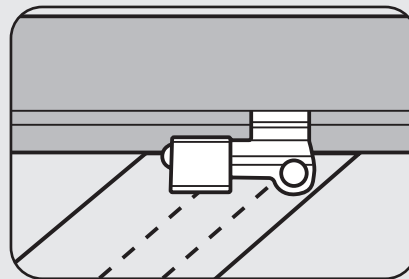
6

HOW TO INSTALL ON DIAGONAL

- When the deck is located in a corner of the house, start with small triangular piece of decking in the corner and work your way out.
- Offset the clip 1/2" to the right of center line of the joist, so screw will not exit the side of the joist when driven.



✗ Incorrect



Correct: Shift over 1/2"

7

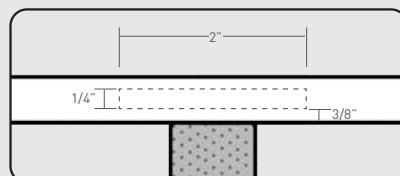
HOW TO REPLACE A PLANK

- Make two parallel cuts down the center of the board to be replaced, then remove the center piece.
- Using a small pry bar, remove the remaining pieces of decking from the tabs.
- Using a reciprocating saw, remove the tabs on the side of the board with the screw heads showing.
- Position new board into place, and drive onto remaining tabs.
- Once the board is set into position, secure the loose edges with Cortex hidden fasteners or TOPLoc stainless steel fasteners.

8

TO USE CONCEALoc® HIDDEN FASTENERS WITH AZEK SOLID DECK BOARDS (FOR START/STOP ONLY)

- Create a 2" long notch on the edge of the plank at every joist.
- Use AZEK's CONCEALoc Groove Cutting Router Bit or a Freud model #56-112 or Bosch model #85610M 1/4" slot cutting bit.
- Flip the plank over and start the notch 3/8" off the bottom of the plank.
- Set the depth of the cut from 7/16" to 1/2" deep.



Do not use CONCEALoc® Hidden Fasteners or L-Brackets for stair installation.